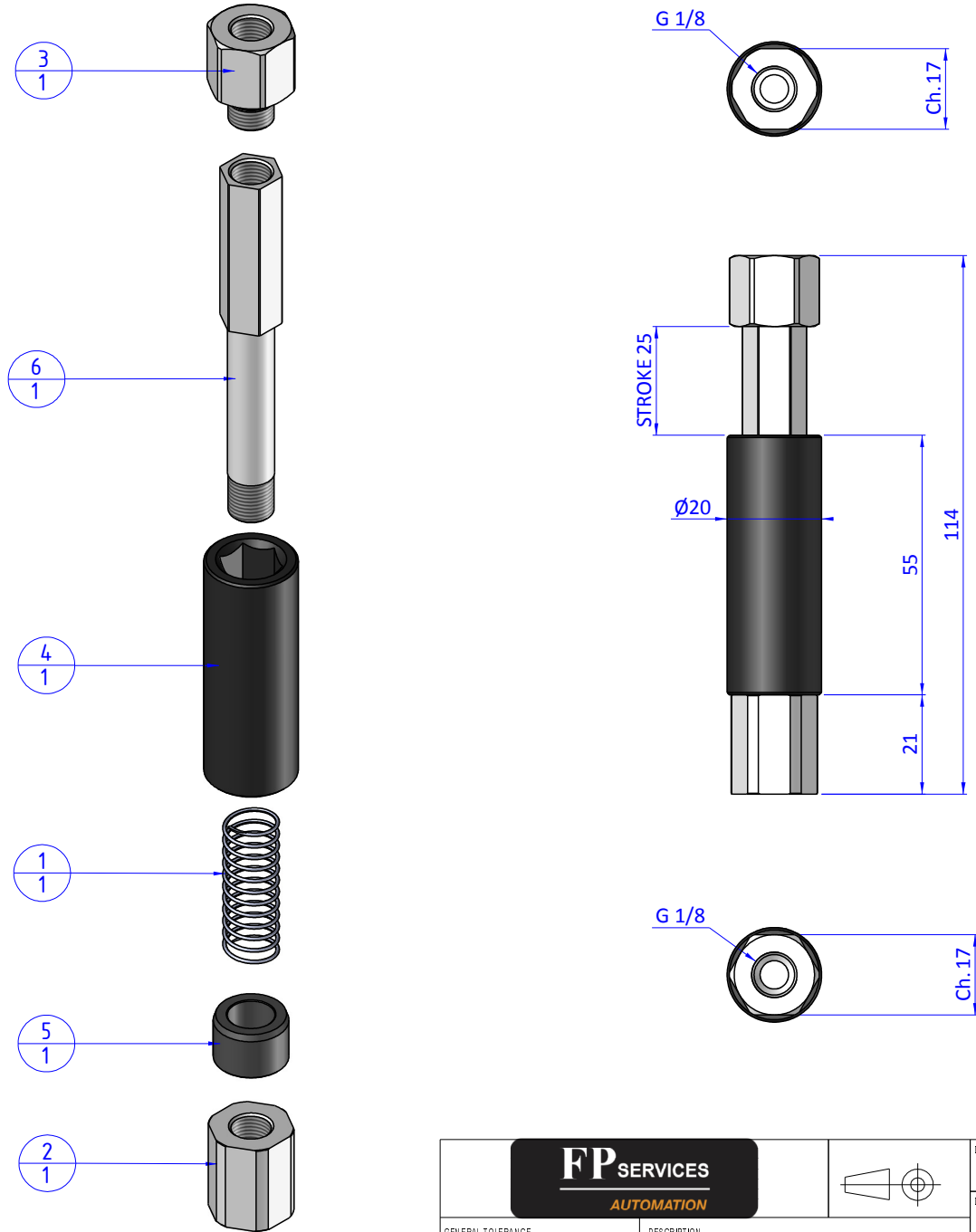


THE PROPERTY OF THE DRAWING IS ESTABLISHED BY LAW. IT IS FORBIDDEN TO PRODUCE OR SHOW IT TO THIRD PARTY, WITHOUT A WRITTEN AGREEMENT.

Item	Name	Q.ty
1	M.12X39.50	1
2	VSN.20.1	1
3	VSN.20.2	1
4	VSN.2025.2.1	1
5	VSN.2025.3	1
6	VSN.2025.4	1



Format A3

UNI 936-76

FP SERVICES AUTOMATION		DESIGNED FROM FPSERVICES	REVIEW A
GENERAL TOLERANCE UNI - ISO 2768 CLASSE f	DESCRIPTION CA.SDN.2025	DATE 11/02/2019	WEIGHT 0,063kg
		CODE CA.SDN.2025	